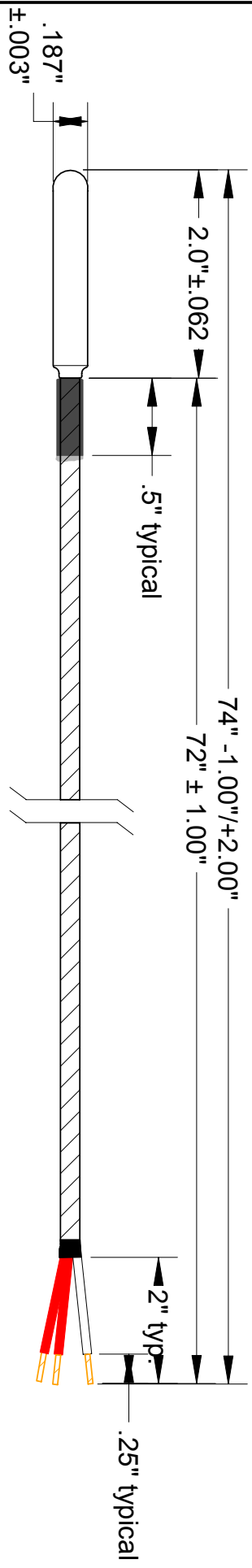


Dash	L
1	74"
2	362"

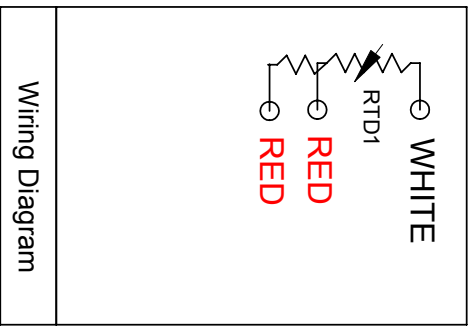
Confidential
 This drawing is the intellectual property of Probes Unlimited, Inc. It is not to be reproduced without the express written consent of Probes Unlimited, disclosure of this information is expressly prohibited.

ECO Number	Date	Description
3030101	3-01-03	REVISED LENGTH
3030301	3-03-03	REVISED DASH 1 TO 6'

**** special sealing procedure required ****



Element: PT1000 '385" Class B IEC751 DIN 43760
 Sheath: SS304/316 Closed One End Commercial Grade
 Construction: Chip encapsulated, pressure collet crimp to seal
 Wire: 3 Conductor, Teflon Insulated SPC 24/7 Type E [2 Red/ 1 White]. FEP jacket
 Wire Termination: Stripped
 Operating Temperature: -196°C to +150°C



Probes Unlimited Inc.

836 W. 8th Street
 Lansdale, PA 19446
 (267) 263-0400 (voice)
 (267) 263-0191 (fax)
 sales@temp-probes.com (e-mail)



PUI Part Number	PUI P/N Rev
P1000-13199-X	A
Quote #	Date Of Quote
Q3012502	01-25-03