

Mineral Insulated Thermocouple Probe Assemblies

Series 2000

Standard

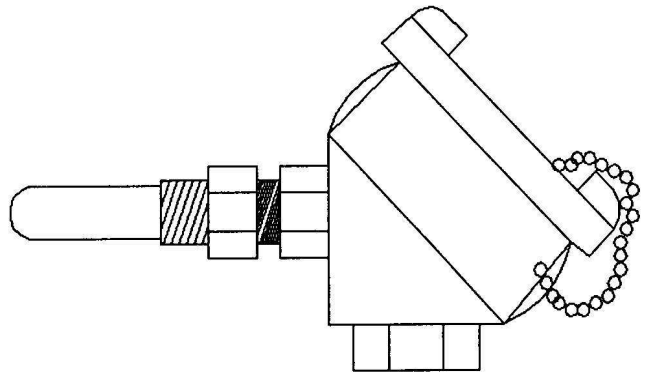


A Thermocouple assembly with mineral insulated stainless steel sheath for maximum temperature rating. Transition fitting potted with high temperature potting.

Series 2000

With Head Assembly

A Thermocouple assembly with mineral insulated stainless steel sheath for maximum temperature rating. Stainless steel sheath terminated into NPT fitting and head assembly.

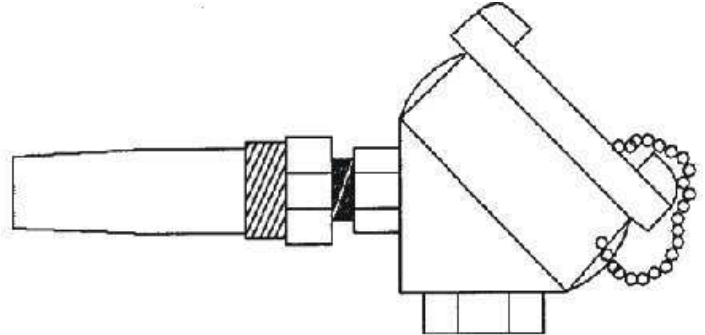


Series 2000

With Head Assembly

And Thermowell

A Thermocouple assembly with mineral insulated stainless steel sheath for maximum temperature rating. Stainless steel sheath terminated into NPT fitting and head assembly.



Standard Specifications:

Detector: Type J, K, E, T, or R

Wire: Mineral insulated sheath assembly.

Sheath: Various lengths, diameters and bend patterns.

Head Assemblies: Various styles including standard and small size head assemblies, a variety of materials - Cast aluminum, cast iron, explosion proof rated. Various Process & Conduit openings, and a variety of terminal blocks available.

Custom Thermocouple Probes:

Probes Unlimited is pleased to offer you the enclosed drawings of our standard products. We also do build to specification temperature probes and will quote your existing design or assist you with the design of a probe to satisfy your specifications.

Probes Unlimited, Inc.
1330 Eddows Road, Building 9, Warminster, PA 18974
800-221-8658