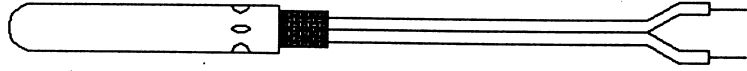


High Temperature PRTD Probe Assemblies

SERIES 450

Standard

A high temperature probe assembly rated at 450°C enclosed in a stainless steel sheath.

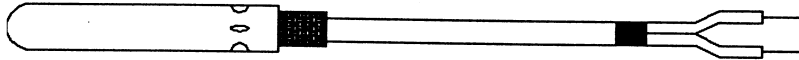


SERIES 450

Multi Conductor

Cable Probe Assembly

A high temperature probe assembly rated at 450°C with fiberglass over fiberglass multi conductor lead extensions enclosed in a stainless steel sheath.

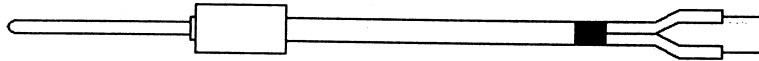


SERIES 450

Small Diameter with

Transition Fitting

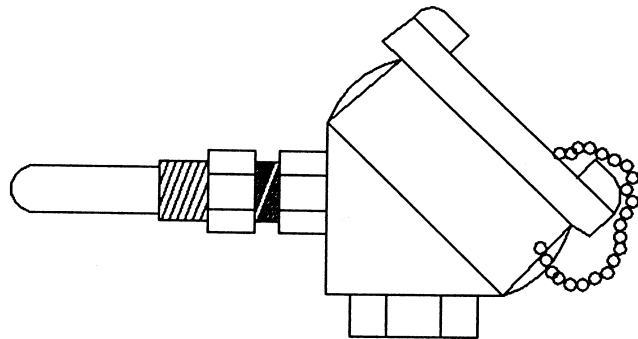
A high temperature probe assembly rated at 450°C with fiberglass over fiberglass multi conductor lead extensions exiting a transition fitting potted with high temperature ceramics and a small diameter stainless steel sheath.



SERIES 450

with Head Assembly

A high temperature probe assembly rated at 450°C terminated in a head assembly with an integral hex fitting welded to the stainless steel sheath.



Specifications:

Detector: 100Ω or 1000Ω PRTD $\pm .12\%$ @ 0°C European 385 Alpha.

Wire: Fiberglass insulated nickel clad copper wire in various lengths and wire gauges.

Sheath : Various lengths, diameters and bend patterns.

Head Assemblies: Various styles including standard and small size head assemblies, a variety of materials including cast aluminum, cast iron, explosion proof rated, various process and conduit openings, and a variety of terminal blocks.

Custom RTD Probe Assemblies

Probes Unlimited Inc. is pleased to offer you the enclosed drawings of our standard products. We also offer you a full service engineering and manufacturing facility. We will gladly quote your existing design or assist you with the design of a probe assembly to satisfy your specific application.